

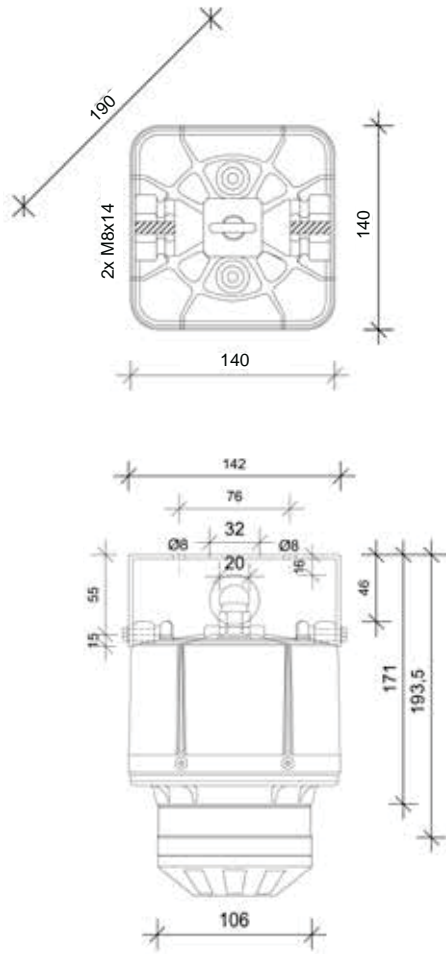
# Sensor-Lifts

## Lightweight construction for fire and smoke detectors

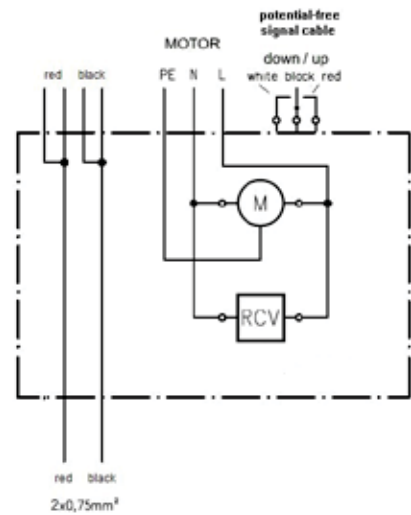
Servicing detectors at high level over machinery or other equipment can be very expensive, particularly the cost of personnel and scaffolding.

With the Sensor Lift detectors can be lowered to a safe comfortable working height making access much easier.

Power can be supplied via an existing supply.



Dimensions:  
FSI-2



Sensor-Lift	FSI-2
Lifting capacity	3 kg
Lowering distance	15 m
Suspension cable	single
Power supply motor	100 - 277 V AC / 50 - 60 Hz; 30W
Auxiliary contacts / capacity	2/6A, 42V AC
Protection category / class	IP 20/I
Temperature range	-15 °C to + 60 °C
Net weight / with packaging	3,1/4,0 kg