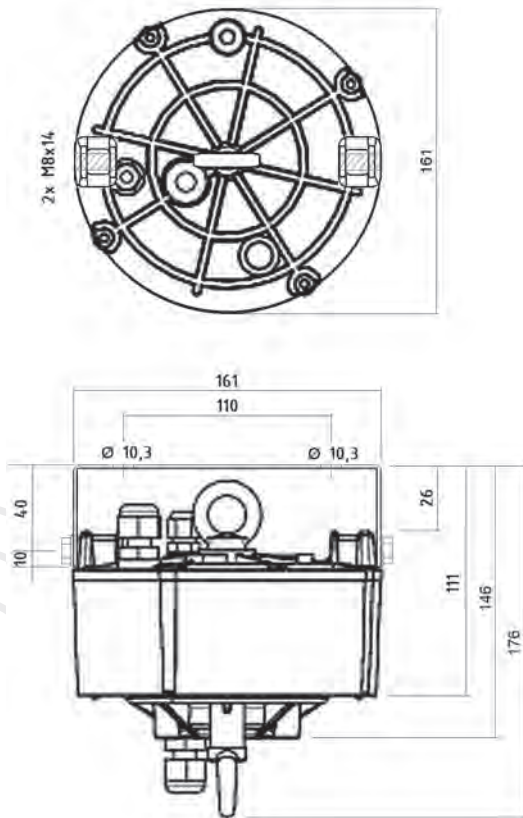


MINI TYPE MULTICONTACT

When additional auxiliary contacts are required for DALI, emergency packs or other circuits the Mini multi-contact version is ideal for loads up to 9kg.



Dimensions (in mm)
for: MSI-5M

Mini Type	MSI-5M	MDI-6M	MDI-9M
Lifting capacity	1-5 kg	1-6 kg	1-9 kg
Lowering distance	15m	7m	7m
Suspension cable	single	double	double
Motor supply and lighting circuit	separate	separate	separate
Power supply motor	100 - 277 V AC / 50 - 60 Hz; 25W		
Lighting circuit	16A, 230V AC	16A, 230V AC	16A, 230V AC
Auxiliary contacts / capacity	4/6A, 230V AC	4/6A, 230V AC	4/6A, 230V AC
Protection category / class	IP 54 / I	IP 54 / I	IP 54 / I
Temperature range	-15 °C to + 60 °C	-15 °C to + 60 °C	-15 °C to + 60 °C
Net weight / with packaging	2,5 / 2,7 kg	2,5 / 2,7 kg	2,6 / 2,8 kg