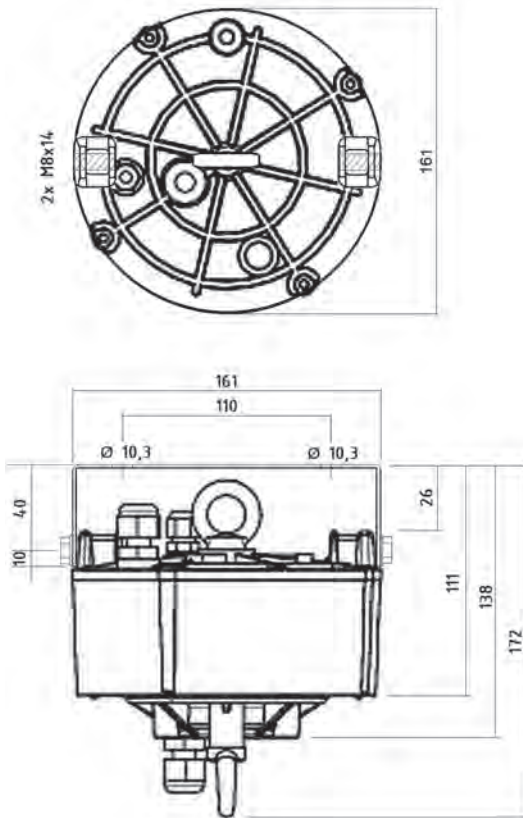


## MINI TYPE STANDARD

Extremely compact size and easy installation makes the Mini range the preferred solution for office- and home applications for weights up to 9 kg.



Dimensions (in mm) for:  
MSI-5, MDI-6, MDI-6M, MDI-9, MDI-9M

Mini Type	MSI-5	MDI-6	MDI-9
Lifting capacity	1-5 kg	1-6 kg	1-9 kg
Lowering distance	15m	7m	7m
Suspension cable	single	double	double
Motor supply and lighting circuit	common	common	common
Power supply motor	100 - 277 V AC / 50 - 60 Hz; 25W		
Lighting circuit	16A, 230V AC	16A, 230V AC	16A, 230V AC
Auxiliary contacts / capacity	-	-	-
Protection category / class	IP 54 / I	IP 54 / I	IP 54 / I
Temperature range	-15 °C to + 60 °C	-15 °C to + 60 °C	-15 °C to + 60 °C
Net weight / with packaging	2,2 / 2,4 kg	2,2 / 2,4 kg	2,3 / 2,5 kg