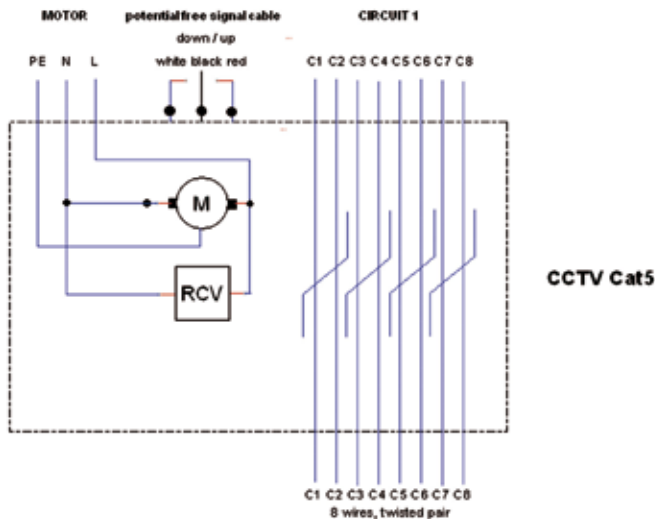


CCTV-LIFT FOR IP - AND ANALOGUE - CAMERAS

CCTV-Lifts deal for maintaining and cleaning of CCTV and Audio equipment. Secure contact prevents image distortion when used with CCTV systems. It meets the requirements for CAT-5 applications and PoE.



1 INDOOR



CCTL Lifts	MSI-1C-I	MSI-3C-I	MSI-5C-I	CSI-12C-I	CSI-12A-I
Lifting capacity	0,5-1 kg	1-3 kg	1-5 kg	3-12kg	3-12kg
Lowering distance	15 m	15 m	15 m	15 m	15 m
Suspension cable	single	single	single	single	single
Power supply motor	100-277VAC/ 50-60Hz	100-277VAC/ 50-60Hz	100-277VAC/ 50-60Hz	100-277VAC/ 50-60Hz	100-277VAC/ 50-60Hz
Temperature range	-15 °C bis + 60 °C	-15 °C bis + 60 °C	-15 °C bis + 60 °C	-15 °C bis + 60 °C	-15 °C bis + 60 °C
Camera type	IP/PoE Cat5	IP/PoE Cat5	IP/PoE Cat5	IP/PoE Cat5	analog
Protection category	IP54	IP54	IP54	IP54	IP54
Protection class	I	I	I	I	I
Motor- and CCTV power supply	separate	separate	separate	separate	separate
Dimensions	Ø186x179mm	Ø186x179mm	Ø186x179mm	140x140x236	140x140x236

2 OUTDOOR



CCTL Lifts	MSI-1C-O	MSI-3C-O	MSI-5C-O	CSI-12C-O	CSI-12A-O
Lifting capacity	0,5-1 kg	1-3 kg	1-5 kg	3-12kg	3-12kg
Lowering distance	15 m	15 m	15 m	15 m	15 m
Suspension cable	single	single	single	single	single
Power supply motor	100-277VAC/ 50-60Hz	100-277VAC/ 50-60Hz	100-277VAC/ 50-60Hz	100-277VAC/ 50-60Hz	100-277VAC/ 50-60Hz
Temperature range	-15 °C bis + 60 °C	-15 °C bis + 60 °C	-15 °C bis + 60 °C	-15 °C bis + 60 °C	-15 °C bis + 60 °C
Camera type	IP/PoE Cat5	IP/PoE Cat5	IP/PoE Cat5	IP/PoE Cat5	analog
Protection category	IP65	IP65	IP65	IP56	IP56
Protection class	I	I	I	I	I
Motor- and CCTV power supply	separate	separate	separate	separate	separate
Dimensions	Ø186x209mm	Ø186x209mm	Ø186x209mm	Ø190x305mm	Ø190x305mm