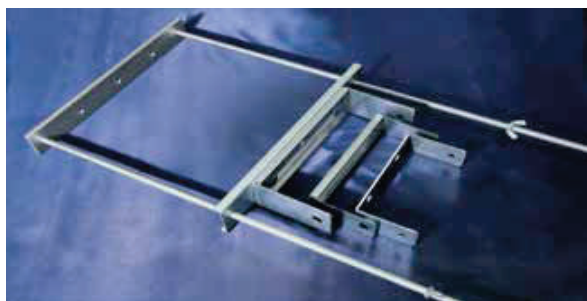


Mounting accessories

Mounting brackets MB

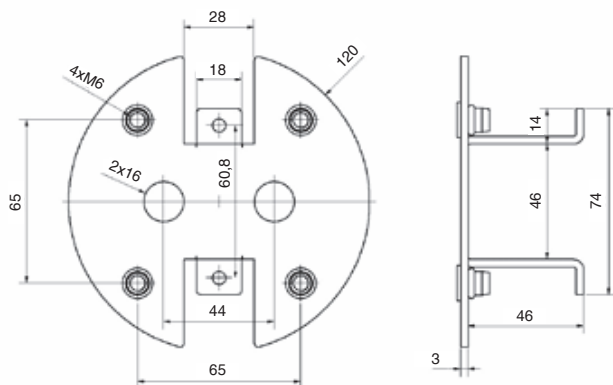
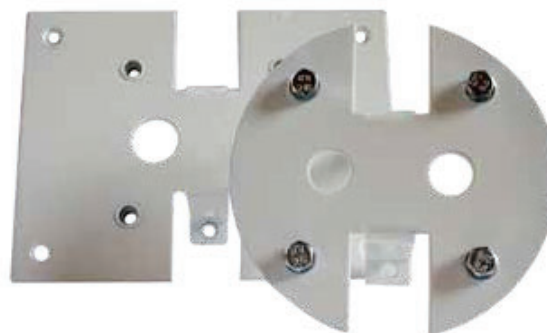
Mounting brackets are used to secure the lift by two fixing points in line with building regulations. They reduce vibration and ensure that the lift remains stable.

Variable mounting brackets (MB-V) allow for quick and easy height adjustment of the lift if installed behind a false ceiling.

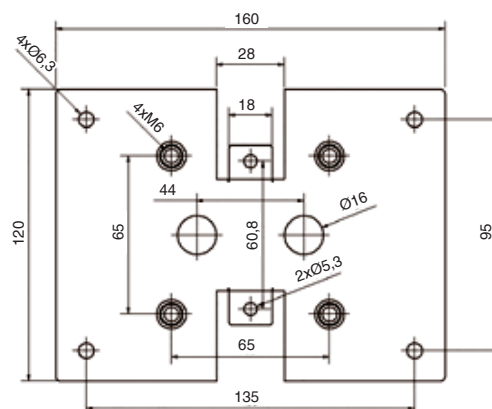


Mounting plate RMP und RCMP

ReelTech luminaire lifts are supplied as standard with a shackle for fastening or suspending the luminaires. If lighting fixtures or load-bearing structures are to be attached directly to the lowering part round and right-angled mounting plates are available for lifting weights of up to 50 kg. Colour white, RAL-9010.



Dimensions: RMP-M



Dimensions: RCMP-M