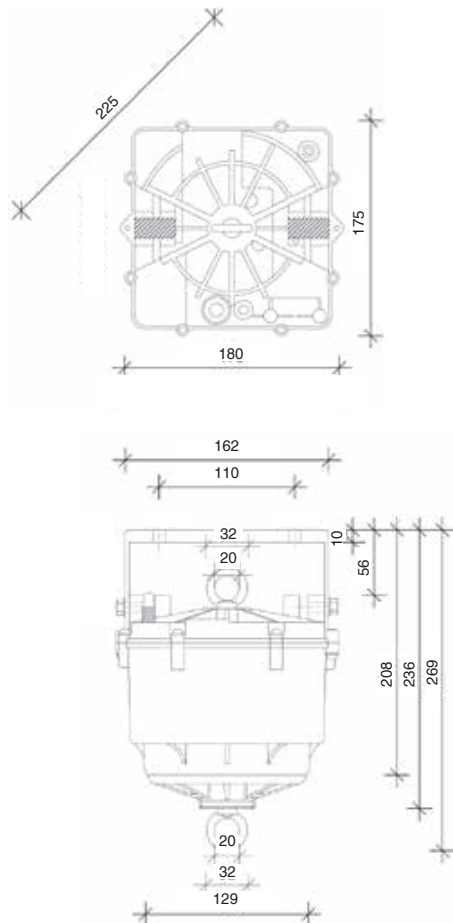


## Hook Up Type Multicontact

When additional auxiliary contacts are required for DALI, emergency packs or other circuits the Hook Up multicontact version is ideal. Separate power supplies for the motor, main lamp and auxiliary contacts offer flexibility and dimming facility for loads up to 25kg.



Dimensions:  
HDI-25 M

Hook Up Type Multicontact	HDI-25 M
Lifting capacity	6-25 kg
Lowering distance	10 m
Suspension cable	dual
Motor supply and lighting circuit	separate
Power supply motor	230V AC/50Hz; 40W
Lighting circuit	16A, 230V AC
Auxiliary contacts / capacity	4/6A, 230V AC
Protection category / class	IP 54/I
Temperature range	-15 °C to + 60 °C
Net weight / with packaging	7,0/ 7,6 kg